

## D-955 Multi-Purpose Shrink Film

### MPD High Speed Films

- Designed to run at speeds up to 200 ppm
- Unparalleled clarity
- Provides the strongest lap seal available



### D-940 Soft Shrink Film

- Perfect for softer items like printed paper goods
- Super low shrink force prevents distortion
- Runs on a wide variety of equipment



### Consultative Services

- Package concept development
- Film selection assistance
- Packaging line audits and economic analysis



### LD-935 Multi-Purpose Film

- Great for uniform-sized, lightweight products
- Longer rolls mean fewer changeovers, less downtime
- Superior optics for unsurpassed shelf appeal

### CorTuff® High-Abuse Film

- Strongest impact strength available – ideal for heavy, odd-shaped products
- Can replace bulkier packaging materials
- Can be used as primary shipping media

### Equipment Systems Support

- Feasibility studies of proposed equipment
- Custom-built shrink packaging systems
- Equipment installation, training and ongoing technical support

*The*  
*Versatile*  
*Way*  
*to*  
*Unlimited*  
*Packaging*



# Multi-Purpose Shrink Film

The most versatile and reliable shrink film on the market has only begun to scratch the surface of potential applications. In addition to being the perfect film for unusually shaped objects and heavy products with sharp edges, Cryovac® D-955 is unmatched for multi-packing applications.

## The Best Athlete in the Field

- **Unmatched Strength.** Withstands abuse in production, packing, shipping, retail stocking and consumer handling. Its toughness enables D-955 to be used in thinner gauges than competitive films while delivering the same degree of protection.
- **High Energy.** D-955's high shrink energy allows you to tightly unitize multiple items so you can eliminate extra packaging materials such as trays or bands. And regardless of the extremes in temperature and climate the film will retain its original form. And it virtually eliminates wrinkles and dog ears.
- **Versatile.** Great for irregularly shaped products especially those with sharp corners, premium add-ons or "pack-ons", cold/frozen products, heavy items and multi-packs. Seals on a wide variety of systems.
- **Great Vision.** The field is wide open for multi-packing applications. Everything from complementary products like motor oil and transmission fluid to sampling products like mouthwash and chewing gum, and multiple packages of shutters, canned goods, aerosol cans, and so much more.
- **Optimal Production.** All this adds up to fewer product returns, better product image on store shelves, less down-time and higher through-put speeds and an opportunity to reduce overall packaging costs.

## Film Highlights

- **Material.** Extremely tough, multi-layered, electronically cross-linked polyolefin.
- **Appearance.** Superior clarity, gloss and sheen. Package will stay taut and wrinkle-free and won't crack when temperature abused, insuring maximum appeal at the point of sale.

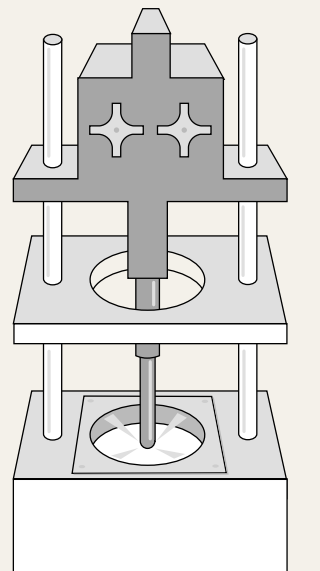
- **Toughness.** Abuse and puncture resistant. Strong seals. Opportunity to use thinner gauge without jeopardizing package integrity.
- **Machinability.** Can be run on a variety of equipment – centerfold, reverse fold and form-fill-seal machines.
- **Sealing Techniques.** Seals well on thermal, trim and electrostatic systems.
- **Applications.** Multi-packs, plastic or heavy paper plates, reams of paper, window shutters, shelving, canned goods, irregularly shaped toys and games.



D-955 Properties		ASTM Test Method	Typical Values			
Gauge			60	75	100	125
Yield (sq. in. per pound)			50,000	40,000	30,000	24,000
Haze (%)		D 1003-95	3.1	3.3	3.7	4.4
Gloss (%)		D 2457-90	87	87	87	87
Clarity (%)		D 1746-92	86	85	81	76
Instrumented Impact Strength (lbs)		D 3763-95a	18.8	23.9	33.2	36.8
Coefficient of Friction (film-to-film, kinetic)		D 1894-95	0.22	0.22	0.23	0.23
Water Vapor Transmission Rate (gms/100sq. in./24hrs.;100%RH,100°F)		F 1249-90	1.3	1.1	0.9	0.7
Oxygen Transmission Rate (cc/m <sup>2</sup> /24hrs. @ 73° F, 1atm)		D 3985-95	8,548	6,726	4,941	3,350
Tear Propagation (gms)	LD*	D 1938	3.8	5.3	8.5	12.8
	TD**		4.9	6.0	9.2	12.7
Elongation at Break (%)	LD*	D882-95	95	110	125	150
	TD**		30	135	140	145
Minimum Use Temperature			-60° F			
Maximum Storage Temperature			90° F			
			LD*		TD**	
Tensile Strength (psi)		D 882-95	17,500		19,000	
Modulus of Elasticity (psi @ 73° F)		D 882-95	60,000		65,000	
Free Shrink (%)		D 2732-3				
	@200° F		14		20	
	@220° F		22		33	
	@240° F		57		60	
	@260° F		77		77	
Shrink Tension (psi)		D 2838-95				
	@200° F		350		500	
	@220° F		400		570	
	@240° F		440		600	
	@260° F		440		535	
	@280° F		420		450	

\*Longitudinal Direction \*\*Transverse Direction

This information represents our best judgement based on the work done, but the Company assumes no liability whatsoever in connection with the use of information or findings contained herein. D-955 complies with the requirements of the Federal Food, Drug and Cosmetics Act, as amended, for the packaging of all foods, with the exception of high alcoholic, at temperatures of 65°C and below.



**Instrumented Impact Strength**  
Demonstrates impact strength superior to competitive films. LD-935 is put to the test to ensure package integrity under the roughest handling conditions.